

CONTOURE[®]

SPACE SAVER APPLIANCES

OVER-THE-RANGE MICROWAVE OVEN
DELUXE BUILT-IN
1.6 CU.FT BUILT-IN STAINLESS STEEL

OVER-THE-RANGE



INSTRUCTION MANUAL

MODEL: RV-580-OTR

Before using your microwave oven, please read this manual carefully and keep it for future reference.
www.contoureausa.com

WELCOME & CONGRATULATIONS

Thank you for purchasing this quality CONTOURE® appliance.

Congratulations on your new Over-the-Range Microwave Oven.

For your safety and full enjoyment of this product, always read the instruction book carefully before using.

Don't forget to register your product at www.contoureusa.com for updates and other relevant information.



This manual contains important information on the installation, use, and care of your appliance. Please read this manual carefully before installation and operation of this machine to prevent injury and property damage and to take full advantage of your microwave's benefits and features.

SAVE THESE INSTRUCTIONS

WWW.CONTOUREUSA.COM

IMPORTANT SAFETY & PRECAUTIONS

WHAT YOU NEED TO KNOW ABOUT SAFETY INSTRUCTIONS:

Warnings and Important Safety Instructions in this manual DO NOT cover all possible conditions and situations that may occur. It is your responsibility to use common sense, caution and care when installing, maintaining and operating this appliance.

IMPORTANT SAFETY SYMBOLS & PRECAUTION WARNINGS:



This symbol indicates that hazards or unsafe practices may cause serious personal injury or death.

To reduce the risk of fire, explosion, electric shock, or personal injury when using your appliance, these basic safety precautions MUST be followed.

These warnings are to prevent injury to you and to others. Please follow them explicitly.

After reading this section, keep it in a safe place for future reference.

STATE OF CALIFORNIA PROPOSITION 65 WARNINGS:



The California Safe Drinking Water and Toxic Enforcement Act requires the Governor of California to publish a list of substances known to the State of California to cause cancer, birth defects, or other reproductive harm, and requires the business to warn of potential exposure to such substances.

This product contains a chemical known to the State of California to cause cancer, birth defects, or other reproductive harm. This appliance can cause low-level exposure to some of the substances listed, including benzene, formaldehyde, and carbon monoxide.

SAVE THESE INSTRUCTIONS

IMPORTANT SAFETY & PRECAUTIONS



WARNING - To reduce the risk of fire, electric shock, burns, injury or exposure to excessive microwave energy and when using electrical appliances, follow basic precautions, including the following:

- Read all instructions before using this appliance.
- Read and follow the specific warning: PRECAUTIONS TO AVOID POSSIBLE EXPOSURE TO EXCESSIVE MICROWAVE ENERGY
- This appliance must be grounded. Connect only to properly grounded outlet. SEE GROUNDING INSTRUCTIONS.
- Install or locate this appliance only in accordance with the provided INSTALLATION INSTRUCTIONS.
- Some products such as whole eggs and sealed containers – for example, closed glass jars – can explode and should NOT be heated in this appliance.
- Use this appliance only for its intended use as described in this manual.
- DO NOT use corrosive chemicals or vapors in this appliance
- This oven is specifically designed to heat or cook food. It is not designed for industrial or laboratory use.
- As with any appliance, close supervision is necessary and required when it is used by children.
- DO NOT operate this appliance if it has a damaged cord or plug, if it is not working properly or if it has been damaged or dropped.
- This appliance should be serviced only by qualified service technicians.
- DO NOT cover or block any openings on the appliance.
- DO NOT store or use this appliance outdoors.
- DO NOT use this product near water, for example, near a kitchen sink, in a wet basement, near a swimming pool, or similar location.
- DO NOT immerse cord or plug in water
- Keep cord away from heated surfaces.
- DO NOT let cord hang over edge(s) of tables, or countertops.
- When cleaning surfaces of door and oven that come together on closing the door, only use mild, nonabrasive soaps or detergents applied with a sponge or soft cloth.

SAVE THESE INSTRUCTIONS

WWW.CONTOUREUSA.COM

IMPORTANT SAFETY & PRECAUTIONS



WARNING - TO REDUCE THE RISK OF FIRE IN THE OVEN INTERIOR:

- DO NOT overcook food.
- Carefully attend appliance when paper, plastic or other combustible materials are placed inside the oven to facilitate cooking.
- Remove wire twist-ties from paper or plastic bags before placing bag in oven
- If Materials inside the oven ignite, keep oven door closed, turn oven off, and disconnect the power cord, or shut off power at the fuse or circuit breaker panel.
- DO NOT use the interior for storage purposes.
- DO NOT leave paper products, cooking utensils or food in the oven when not in use.

WARNING - To reduce the risk of fire, electric shock, burns, injury or exposure to excessive microwave energy and when using electrical appliances, follow basic precautions, including the following:

- Liquids such as water, coffee or tea can be overheated beyond the boiling point without appearing to be boiling. This is called delayed eruptive boiling.
 - Visible bubbling or boiling when the container is removed from the microwave oven is not always present.
- THIS COULD RESULT IN VERY HOT LIQUIDS SUDDENLY BOILING OVER WHEN THE CONTAINER IS DISTURBED OR A UTENSIL IS INSERTED INTO THE LIQUID.

WARNING - TO REDUCE THE RISK OF INJURY TO PERSONS:

- DO NOT use straight-sided containers with narrow necks. Use wide-mouth containers.
- Stir liquid both before and halfway through heating it.
- DO NOT overheat liquid.
- Use extreme care when inserting a spoon or other utensil into the container. This may also cause delayed eruptive boiling.
- After heating, allow the container to stand in the microwave oven for at least 20 seconds before removing the container.

SAVE THESE INSTRUCTIONS

IMPORTANT SAFETY & PRECAUTIONS



WARNING - PRECAUTIONS TO AVOID POSSIBLE EXPOSURE TO EXCESSIVE MICROWAVE ENERGY

- DO NOT attempt to operate this oven with the door open, this can result in harmful exposure to microwave energy. It is important not to break or tamper with the safety interlocks.
- DO NOT place any object between the oven front face and the door or allow soil or cleaner residue to accumulate on sealing surfaces
- DO NOT operate the oven if it is damaged.
- It is very important that the oven door closes properly and that there is no damage to the door (for example, make sure that the door is not bent)
- It is very important that the oven door closes properly and there is no damage to hinges, latches and door seals (for example, make sure that the hinges, latches or door seals are not broken or loosened.
- The oven should never be adjusted or repaired by anyone except properly qualified service personnel.
- If the microwave unit is not kept clean, its surface may be degraded and lead to a hazardous situation.

DANGER ELECTRIC SHOCK HAZARD

- Touching some of the internal components can cause serious personal injury or death.
- DO NOT disassemble this appliance

WARNING ELECTRIC SHOCK HAZARD

- Improper use of the grounding can result in electric shock.
- DO NOT plug into an outlet until appliance is properly installed and grounded.



SAVE THESE INSTRUCTIONS

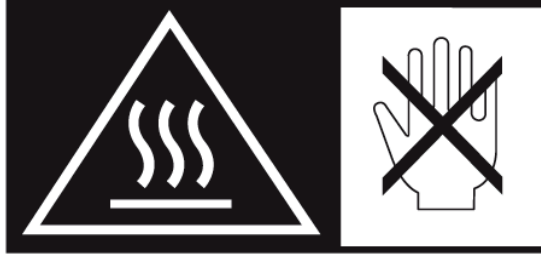
WWW.CONTOUREUSA.COM

IMPORTANT SAFETY & PRECAUTIONS



WARNING ELECTRIC SHOCK HAZARD

- Improper use of the grounding can result in electric shock.
- DO NOT plug into an outlet until appliance is properly installed and grounded.





WARNING

RISK OF FIRE OR ELECTRIC SHOCK
DO NOT OPEN



**WARNING: TO REDUCE THE RISK OF FIRE OR ELECTRIC SHOCK,
DO NOT REMOVE COVER (OR BACK)
NO USER-SERVICEABLE PARTS INSIDE
REPAIR SHOULD BE DONE BY AUTHORIZED SERVICE PERSONNEL ONLY**

SAVE THESE INSTRUCTIONS

WWW.CONTOUREUSA.COM

IMPORTANT SAFETY & PRECAUTIONS

CRITICAL INSTALLATION WARNINGS:



The installation of this appliance **MUST** be performed by a qualified technician or service company.

Failing to have a qualified technician or service company install the oven may result in electric shock, fire, an explosion, problems with the product or injury.

Keep all packaging materials out of the reach of children.

DO NOT allow children to use them for play.

The electrical requirements are a 120 volt AC, 60 Hz, 15 Amp. or more protected electrical supply. It is recommended that a separate circuit serving only the microwave oven be provided.

RADIO INTERFERENCE:

Operation of your microwave oven may cause interference to your radio, TV or similar equipment.

If there is interference, it may be reduced or eliminated by using the following steps:

- Clean the door of the microwave and seal the surface of the oven
- Change the orientation of the receiving antenna used by the radio or TV
- Relocate the microwave oven with respect to the receiver
- Move the microwave oven away from the receiver
- Plug the microwave oven into a different outlet so that the microwave and receiver are on different branch circuits.

SAVE THESE INSTRUCTIONS

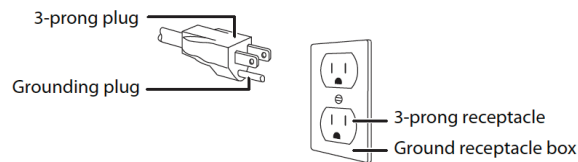
IMPORTANT SAFETY & PRECAUTIONS

GROUNDING INSTRUCTIONS: This appliance must be grounded.

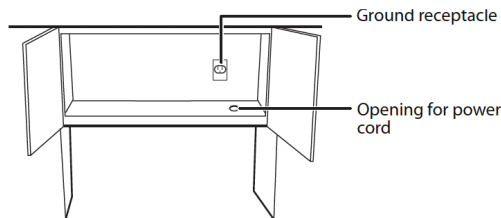
In the event of an electrical short circuit, grounding reduces the risk of electric shock by providing an escape wire for the electric current. This appliance is equipped with a cord having a grounding wire with a grounding plug. The plug must be plugged into an outlet that is properly installed and grounded. Consult a qualified electrician or serviceman if the grounding instructions are not completely understood or if doubt exists as to whether the appliance is properly grounded. CONTOURE does not accept any liability for damage to the microwave oven or personal injury resulting from failure to observe the correct electrical connection procedures.

The microwave oven is equipped with a 3-prong grounding plug. It must be plugged into a wall receptacle that is properly installed and grounded.

DO NOT UNDER ANY CIRCUMSTANCE CUT OR REMOVE THE GROUNDING PIN FROM THE PLUG. DO NOT USE AN EXTENSION CORD.



If the power supply cord is too short, only have a qualified electrician or serviceman install an outlet near the appliance.



The power supply cord and plug must be connected to a separate 120 Volt, 60 Hz, 15 Amp, or more branch circuit, single grounded receptacle. The receptacle should be located inside the cabinet directly above the microwave oven mounting location as shown above.

SAVE THESE INSTRUCTIONS

IMPORTANT SAFETY & PRECAUTIONS

A short power-supply cord is provided to reduce the risks resulting from becoming entangled in or tripping over a longer cord.

Longer cord sets or an extension cord should NOT be used unless the below precautions are followed:

If a longer cord or extension cord is used:

- The marked electrical rating of the cord set or extension cord should match the rating of the appliance
- The extension cord must be a grounding-type 3-wire cord.
- The longer cord should be arranged so that it will not drape over the countertop or tabletop where it can be pulled on by children, or tripped over.

If it is necessary to use an extension cord, use only a 3-wire extension cord that has a 3-pronged grounding plug, and a 3-slot receptacle that will accept the plug on the appliance.

IMPORTANT: ABOUT YOUR MICROWAVE OVEN:

- NEVER use the microwave oven without the turntable and support.
- NEVER turn the turntable over so that a large dish can be placed inside the microwave oven. The turntable turns clockwise and counterclockwise.
- ALWAYS have food in the microwave oven when it is on to absorb the microwave energy.
- DO NOT test the microwave oven without food.
- It is normal for the microwave oven's exterior to be warm to the touch when cooking or reheating
- This microwave oven is for food preparation ONLY.

SAVE THESE INSTRUCTIONS

IMPORTANT SAFETY & PRECAUTIONS

IMPORTANT SAFEGUARDS:

WARNING - To reduce the risk of fire, electric shock, burns, injury or exposure to excessive microwave energy and when using electrical appliances, follow basic precautions, including the following:

If there is interference, it may be reduced or eliminated by using the following steps:

- The oven must be placed on a level surface
- The glass turntable and turntable assembly must be in the oven during cooking
- Handle glass turntable carefully and place cookware on it gently to avoid possible breakage.
- Incorrect use of browning dish may cause the turntable to break.
- Use only the correctly specified bag size when using the preset popcorn program
- The oven has several built-in safety switches to ensure that the power remains off when the door is open. DO NOT tamper with these switches.
- DO NOT operate the microwave oven empty. Operating with no food or food that is low in moisture can cause fire, charring or sparking.
- DO NOT cook bacon directly on the turntable
- Excessive local heating of the turntable may cause the turntable to break
- DO NOT heat baby bottles or baby food in the microwave oven. Uneven heating / hotspots may occur and cause injury.
- DO NOT heat narrow-necked containers, like syrup bottles.
- DO NOT attempt to deep-fry in your microwave oven.
- DO NOT attempt home canning in this microwave oven. It is impossible to be sure all contents of the jar have reached boiling temperature.
- DO NOT use this microwave oven for commercial purposes. This microwave oven is made for household use only.
- Failure to maintain the oven in a clean condition could lead to deterioration that could adversely affect the life of the appliance and possibly result in a hazardous situation.

SAVE THESE INSTRUCTIONS

ABOUT MICROWAVE COOKING

MATERIALS YOU CANNOT USE IN A MICROWAVE:

Arcing is a spark or electric flash that crackles and/or pops. Arcing can produce heat that is very intense and can damage the interior of the microwave or container(s) used.

Arcing can also cause fire. Arcing occurs when metal containers are used in the microwave. Arcing can also occur with the use of metal skewers, metal clamps, or twist ties from plastic bags used for food items such as bread.

To prevent arcing, use the charts to determine the materials that are microwave safe and follow instructions from the container manufacturer.

Plastic cookware designed for microwave cooking should be used carefully. Some plastic containers advertised as “microwave safe” plastic containers may not be as tolerant of overcooking conditions like their glass or ceramic counterparts. These containers may soften or char if subjected to short periods of overcooking. In longer exposures to overcooking, the food and cookware may ignite.

- Use “microwave-safe” plastics only in strict compliance with the recommendations provided by the cookware manufacturer.
- DO NOT microwave empty cups or containers.
- DO NOT permit children to use plastic cookware unsupervised

MATERIALS YOU CAN USE IN A MICROWAVE / COOKWARE

It is not required to buy all new cookware after purchasing your microwave oven.

Many of the cookware pieces you already own can be used successfully in your new power convection microwave oven.

SAVE THESE INSTRUCTIONS

ABOUT MICROWAVE COOKING

CAUTION PERSONAL INJURY HAZARD:

Tightly closed containers may explode.

Closed containers should be opened and plastic pouches should be pierced before cooking.

Some non-metallic materials are not safe to use for microwaving. If in doubt, you can test the material in questions using the following procedure:

MATERIAL / CONTAINER TEST:

1. Fill a “microwave-safe” container with 1 cup of cold water (250 ml) along with the material you’re testing.
2. Cook on maximum power for 3—seconds
3. Carefully feel the material or container. If the material or container is warm, DO NOT use it for microwave cooking.
4. DO NOT exceed 1 minute cooking time for this test
5. Please take precautions when testing all “microwave-safe” materials and or containers.
6. DO NOT allow children to conduct this test.

SAVE THESE INSTRUCTIONS

WWW.CONTOUREUSA.COM

ABOUT MICROWAVE COOKING

COOKWARE AND COOKING MATERIALS

Cookware and other materials **MUST** fit on the turntable. Always use oven mitts or pot holders because cookware can become hot.

MATERIALS YOU CAN USE

MATERIAL	REMARKS
Aluminum foil	Use as shielding only. Small, smooth pieces can be used to cover thin parts of meat or poultry to prevent overcooking. Arcing can occur if the foil is wrinkled or too close to oven walls. The foil should be at least 1 inch (2.5 cm) away from oven walls.
Browning dish	Follow the manufacturer's instructions. The bottom of the browning dish must be at least 3/16-in. (5mm) above the turntable. Incorrect usage may cause the turntable to break.
Dinnerware	Use microwave-safe only. Follow the manufacturer's instructions. Do not use cracked or chipped dishes.
Glass jars	Always remove the lid. Use only to heat food until just warm. Most glass jars are not heat resistant and may break.
Glassware	Use heat-resistant oven glassware only. Make sure there is no metallic trim. Do not use cracked or chipped dishes.
Oven cooking bags	Follow the manufacturer's instructions. Do not close with a metal tie. Make slits to allow steam to escape.
Paper plates and cups	Use for short-term cooking/warming only. Do not leave the oven unattended while cooking.
Paper towels	Use to cover food for reheating and absorbing fat. Use with supervision for short-term cooking only.
Parchment paper	Use as a cover to prevent splattering or a wrap for steaming.
Plastic	Use only if labeled "Microwave Safe." Follow the manufacturer's instructions. Some plastic containers soften as the food inside gets hot. "Boiling bags" and tightly closed plastic bags should be slit, pierced, or vented, as indicated on the package.
Plastic wrap	Use microwave-safe only. Use to cover food during cooking to retain moisture. Do not allow plastic wrap to touch food.
Thermometers	Use microwave-safe only (such as meat and candy thermometers).
Wax paper	Use as a cover to prevent splattering and retain moisture.

MATERIALS TO BE AVOIDED

MATERIAL	REMARKS
Aluminum tray	May cause arcing. Use a microwave-safe dish instead.
Food carton with metal handle	May cause arcing. Use a microwave-safe dish instead.
Metal or metal trimmed utensils	Metal shields the food from microwave energy. The metal trim may cause arcing.
Metal twist ties	May cause arcing and could cause a fire in the oven.
Paper bags	May cause a fire in the oven.
Plastic foam	Plastic foam may melt or contaminate the liquid inside when exposed to high temperature.
Wood	Wood will dry out when used in the microwave oven and may split or crack.

SAVE THESE INSTRUCTIONS

WWW.CONTOUREUSA.COM

ABOUT MICROWAVE COOKING

UNDERSTANDING YOUR OVEN

DO NOT use the oven without the turntable and support OR DO NOT turn the turntable over so that a large dish can be placed in the oven.

The turntable will turn both clockwise and counterclockwise.

ALWAYS have food in the oven when it is on to absorb the microwave energy.

When using the oven at power levels below 100% you might hear the magnetron cycling on and off.

It is normal for the exterior of the oven to be warm to the touch when cooking or reheating.

Condensation is a normal part of microwave cooking. The humidity in a room and the moisture in food will influence the amount of moisture that condenses in the oven. Usually, covered foods will not cause as much condensation as uncovered foods.

Convection microwaves will become HOT after use. Look for the top grill or grill and convection symbols to be lighted in the display panel when the unit is hot.

DO NOT use the oven for anything other than food preparation.

DO NOT use the oven to dry clothes or newspapers.

The wattage of this oven is 1000 watts as rated by the IEC Test Procedure method. When using your own recipes or package directions please check the food a minute or two before the minimum time and add time accordingly (if needed).

SAVE THESE INSTRUCTIONS

WWW.CONTOUREUSA.COM

GETTING STARTED

SETTING UP YOUR OVEN (PARTS & ACCESSORIES)

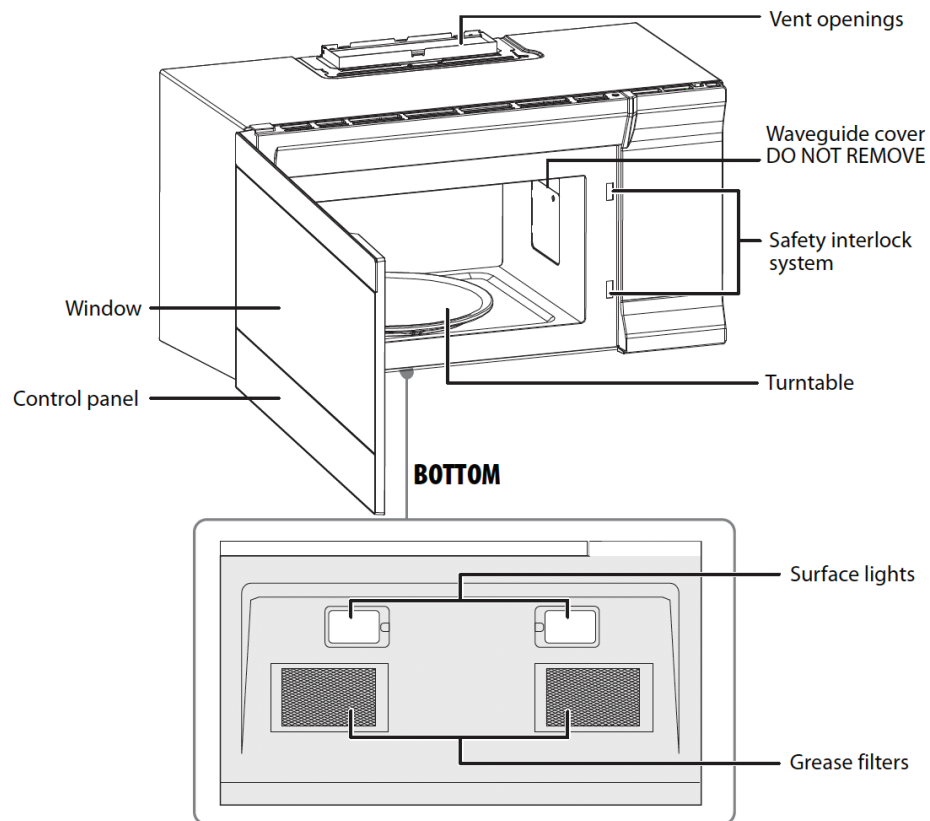
Thank you for purchasing this quality CONTOURE® appliance. We are excited for you to get started using your new Over-the-Range Microwave oven!

Remove all packaging materials and accessories from the carton and oven cavity.

Examine your new oven for any damage, like dents, or a broken door. DO NOT continue with installation if the oven is damaged.

SETTING UP YOUR OVEN

Your new oven comes with the following accessories:



SAVE THESE INSTRUCTIONS

WWW.CONTOUREUSA.COM

PARTS & ACCESSORIES

SETTING UP YOUR OVEN (TURNTABLE INSTALLATION)

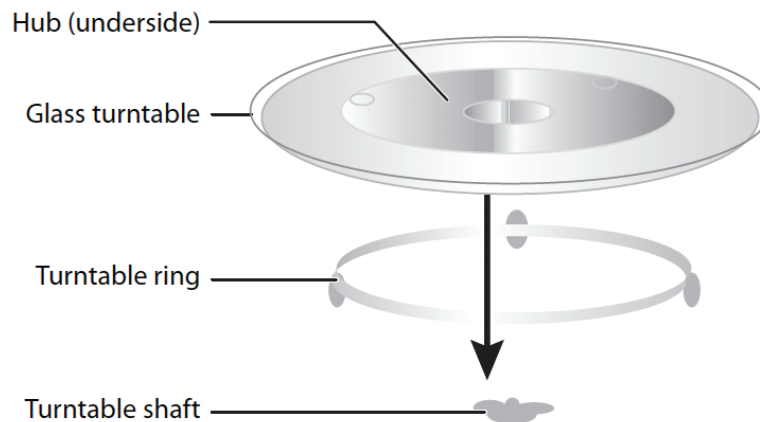
Please reference the diagram below to help during installation.

NEVER place the glass tray upside down. The glass tray should NEVER be restricted.

Both glass tray and turntable ring assembly must always be used during cooking.

All food and containers of food should always be placed on the glass tray for cooking.

If you are missing your glass tray or turntable ring assembly or it cracks or breaks, please contact your retail store where purchased. You may also reach out to customer service, see the warranty & service section for further information.



1. Place the turntable ring in the round depression in the bottom of the microwave oven so that it turns freely.
2. Place the glass turntable (flat side up) on the turntable ring so that the hub engages the turntable shaft in the bottom of the oven.

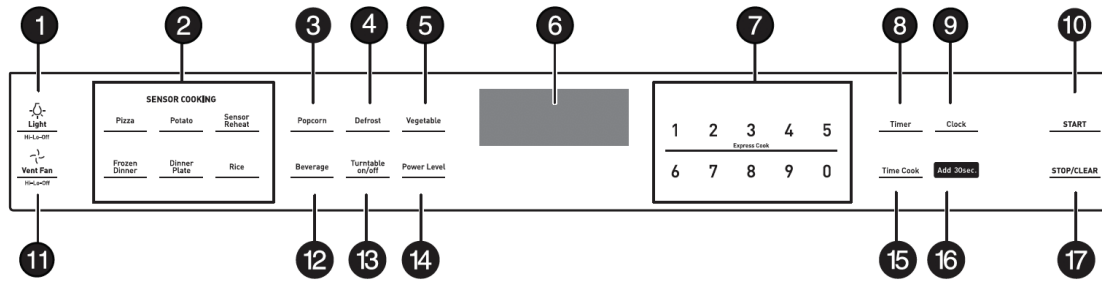
When correctly installed, the glass turntable should not turn freely.

SAVE THESE INSTRUCTIONS

CONTROL PANEL & FEATURES

UNDERSTANDING THE CONTROL PANEL

Please reference the diagram below:



#	ITEM	DESCRIPTION
1	Light	Press to turn on/off the light underneath your microwave. See "Using the light" on page 15.
2	SENSOR COOKING	Detects the humidity released by your cooking food and adjusts the cooking time based on the type and amount of food cooking.
3	Popcorn	Press to cook popcorn. See "Popcorn" on page 15.
4	Defrost	Press to defrost frozen food. See "Defrosting in your microwave" on page 13.
5	Vegetable	Press to cook vegetables. See "Vegetable" on page 14.
6	Display	In standby mode, displays the time. In cooking mode, displays cooking time, weight, and other information.
7	Number pad	Press to enter cook time, defrost time, clock time, and other information.
8	Timer	Press this button, then enter the time you want to count down. See "Using the kitchen timer" on page 12.
9	Clock	Press to set or check the clock. See "Setting the clock]" on page 12
10	START	In standby mode, press this button to begin cooking.
11	Vent Fan	Press to turn on/off your vent fan and remove odors from cooking. See "Using the vent fan" on page 15.
12	Beverage	Press to heat a beverage. See "Beverage" on page 15.
13	Turntable on/off	Press to turn your turntable on or off. See "Using the turntable" on page 15.
14	Power Level	Press to change your microwave's power level (1-10). See "Cooking in your microwave" on page 11.
15	Time Cook	Press to enter a cooking time.
16	Add 30 sec.	While cooking, press this button to add 30 seconds to your cooking time.
17	STOP/CLEAR	Press to stop the cooking process. Press again to cancel the cooking operation.

SAVE THESE INSTRUCTIONS

OPERATING INSTRUCTIONS

BEFORE OPERATING YOUR OVEN:

Before operating your new microwave oven it is important that you read and understand the instruction booklet and operating instructions completely.

Before the oven can be used, please complete the following procedures:

1. Plug in the oven and close the door
2. Touch the Stop/Clear pad so that 0:00 appears
3. Set the clock

SET THE DISPLAY CLOCK:

1. Press CLOCK.
2. Use the number pad to enter the current time (1:00-12:59). then press START to confirm the setting.

SET THE KITCHEN TIMER:

(NOTE: You can use the kitchen timer while the microwave is cooking.)

1. In standby mode, press TIMER.
2. Use the number pad to enter the time, then press START.
3. When the timer reaches 0, your microwave will beep.

SAVE THESE INSTRUCTIONS

OPERATING INSTRUCTIONS

USING YOUR MICRWOAVE OVEN FOR BEST RESULTS

For best results while using your oven, please note the following:

- Foods taken from the freezer or refrigerator will take longer to cook than the same foods would if at room temperature.
- Small pieces of foods will cook more quickly than larger ones. Foods of similar size and shape will cook more evenly when cooked together. For more even cooking results, reduce the power levels when cooking larger pieces of food.
- Foods that have more moisture will cook more evenly
- While constant stirring is not necessary, if you stir foods (casseroles, vegetables, etc) from the outside to the center heat will distribute more evenly and the foods will cook faster.
- Place delicate areas of food toward the center of the turntable tray
- Arrange unevenly shaped foods with thicker or fatter parts towards the outside of the turntable tray.
- To help cook food more evenly, some foods may need to be turned over halfway through cooking.
- After food has been removed from the microwave, cover the food with foil or a casserole lid and let it stand to finish cooking. The length of stand time will depend on the density and surface area of the food item you're cooking.
- Letting food stand will help the food finish cooking in the center and avoid overcooking the outer edges.
- Foods, like sandwiches, that contain prebaked bread should be wrapped prior to placing them in the microwave. Wrapping these foods will help prevent the food items from drying out as they heat.

SAVE THESE INSTRUCTIONS

OPERATING INSTRUCTIONS

SAFETY PRECAUTIONS TO UNDERSTAND (PLEASE READ CAREFULLY)

Before enjoying foods, please check to see that they are cooked in accordance with the United States Department of Agriculture's recommended temperatures prior to consuming.

Be careful and use care when removing items from the oven so that your clothes or cooking accessories DO NOT touch the safety door latches.

DO NOT use the interior of the oven for storage of any kind.

Make sure to select, store and handle food with extreme caution to preserve food quality and minimize the spread of foodborne bacteria.

Maintain a clean microwave and micro-guide cover. Food residue may cause arcing and/or fires.

Check cooking progress frequently while cooking to eliminate any chance of overcooking food.

When handling utensils or cookware that is in contact with hot food ALWAYS use potholders to prevent burns. There is enough heat from the food that can transfer through utensils or cookware to cause skin burns.

Direct steam AWAY from face and hands to avoid steam burns. Carefully open popcorn or other oven cooking bags AWAY from your face. Lift the farthest edge of cookware's covering slowly and away from face.

If testing foods "readiness, "insert a meat thermometer into a thick or dense area away from fat or bone. DO NOT leave the thermometer in the food during cooking, EVER, unless it is approved by the manufacturer for use in a microwave oven.

SAVE THESE INSTRUCTIONS

WWW.CONTOUREUSA.COM

OPERATING INSTRUCTIONS

MULTIPLE STAGE COOKING

For best results, some microwave recipes call for different power levels or different lengths of time for cooking.

Your microwave may be set to change from one stage to another automatically (two stages maximum).

1. Press TIME COOK then use the number pad to enter the cooking time that you want for the first stage. (For example, to enter 5 minutes and 20 seconds, press 5, 2 and then 0.
2. Press POWER LEVEL, then enter the power level that you want (1-10) for the first stage. The power level PL is shown on the display.
3. Press TIME COOK, then use the number pad to enter the cooking time for the second stage.
4. Start the DEFROST process using the "Defrosting Guide" (page 24).
5. Press START to begin defrosting. The microwave will start automatically after defrosting is complete.

COOKING QUICKLY

To instantly start cooking, press a number on the number pad. For example, to cook for five minutes, press 5.

From standby mode, press ADD30SEC to instantly cook for 30 seconds.

To increase cooktime in 30-second increments (except auto cook and defrost), press ADD30SEC repeatedly.

You cannot use quick start while using defrost.

SAVE THESE INSTRUCTIONS

OPERATING INSTRUCTIONS

POWER LEVELS

1. Press TIME COOK, then use the number pad to enter the cooking time that you want.
2. You can then press POWER LEVEL to change or enter the power level that you want (1-10).
3. Press START to begin heating.

POWER LEVEL	OUTPUT	RECOMMENDED WHEN...
10	100%	<ul style="list-style-type: none">• Boiling water.• Cooking ground beef.• Making candy.• Cooking fresh fruits and vegetables.• Cooking fish and poultry.• Preheating browning dish.• Reheating beverages.• Cooking bacon slices.
9	90%	<ul style="list-style-type: none">• Reheating meat slices quickly.• Sautéing onions, celery, and green peppers.
8	80%	<ul style="list-style-type: none">• All reheating.• Cooking scrambled eggs.
7	70%	<ul style="list-style-type: none">• Cooking breads and cereal products.• Cooking cheese dishes and veal.• Cooking cakes, muffins, brownies and cupcakes.
6	60%	<ul style="list-style-type: none">• Cooking pasta.
5	50%	<ul style="list-style-type: none">• Cooking meats and whole poultry.• Cooking custard.• Cooking spare ribs, rib roast, and sirloin roast.
4	40%	<ul style="list-style-type: none">• Cooking less tender cuts of meat.• Reheating frozen packaged foods.
3	30%	<ul style="list-style-type: none">• Thawing meat, poultry, and seafood.• Cooking small quantities of food.• Finish cooking casseroles, stew, and some sauces.
2	20%	<ul style="list-style-type: none">• Softening butter and cream cheese.• Heating small amounts of food.
1	10%	<ul style="list-style-type: none">• Softening ice cream.• Raising yeast dough.

SAVE THESE INSTRUCTIONS

OPERATING INSTRUCTIONS

DEFROSTING WITH YOUR MICROWAVE

This is the perfect feature if you want to defrost foods.

1. Press DEFROST repeatedly to select “MEAT,” “POULTRY,” or “FISH.”
2. Press START.
3. Use the number pad to enter the weight of the item to be defrosted (in pounds). For example, 10 = 1.0 lbs (any weight can be entered from 0.1 to 6.0 lbs)
4. Press START to begin defrosting. The remaining cooking time is displayed. Your microwave may beep periodically to remind you to turn food over. Press START to continue.

TIPS FOR DEFROSTING MEAT

For best results, use the suggestions below when defrosting meat:

MEAT	NORMAL WEIGHT	COOK TIME
Roast beef or pork	2.5 to 6 lbs. (40 to 96 oz.)	<ul style="list-style-type: none">• Placed fat-side down.• After each stage, turn the food over and shield any warm portions with narrow strips of aluminum foil.• Let stand, covered for 15-30 minutes.
Steaks, chops, or fish	0.5 to 3 lbs. (8 to 48 oz.)	<ul style="list-style-type: none">• After each stage, rearrange the food. If there are any warm or thawed portions of food, shield them with narrow flat pieces of aluminum foil.• Remove any pieces of food that are nearly defrosted.• Let stand, covered for about 5 to 10 minutes.
Ground meat	0.5 to 3 lbs. (8 to 48 oz.)	<ul style="list-style-type: none">• After each stage, remove any pieces of food that are nearly defrosted.• Let stand, covered with foil for 5 to 10 minutes.
Whole chicken	2.5 to 6 lbs. (40 to 96 oz.)	<ul style="list-style-type: none">• Remove giblets before freezing poultry.• Start defrosting with the breast side down.• After the first stage, turn the chicken over and shield any warm portions with narrow strips of aluminum foil. After the second stage, again shield any warm portions with narrow strips of aluminum foil.• Let stand, covered, for 30 to 60 minutes in the refrigerator.
Chicken pieces	0.5 to 3 lbs. (8 to 48 oz.)	<ul style="list-style-type: none">• After each stage, rearrange or remove any pieces of food that are nearly defrosted.• Let stand for 10-20 minutes.

Use defrost only for raw food items.

For best results take food directly from the freezer.

SAVE THESE INSTRUCTIONS

SENSOR COOKING

UNDERSTANDING SENSOR COOKING

SENSOR Cooking will detect the humidity released by the food you are cooking and adjust the cooking time automatically based on the amount of food you are cooking.

If you press SENSOR REHEAT, then START your microwave will automatically set the cooking time.

When using sensor cooking:

(1) Plates of Food: Arrange food on the plate and cover with a loose-fitting lid or vented plastic wrap. Let food stand a few minutes prior to serving

(2) Canned Foods: DO NOT place canned foods directly into the microwave oven. Place the contents of food into a microwave-safe dish and cover with a loose-fitting lid or vented plastic wrap. Let food stand a few minutes prior to serving.

(3) Casseroles: Add 2-3 tablespoons of liquid, cover with a lid or vented plastic wrap. Stir when instructed from the display. Let food stand a few minutes prior to serving.

SAVE THESE INSTRUCTIONS

WWW.CONTOUREUSA.COM

GOURMET COOKING

PIZZA

The pizza setting cooks around one to two slices (6-12 oz) of pizza automatically.

Press PIZZA, then press START.

POTATO

The potato setting cooks from two to four potatoes automatically.

Poke holes in your potato's skin 5-6 times with a fork. Do not cover your potatoes.

Press POTATO, then press START.

Let the potatoes stand for about five minutes after the microwave has finished to complete cooking.

If additional time is needed, continue to cook manually.

RICE

The rice setting cooks on to two cups of rice automatically (starting from room temperature).

Press RICE, then press START.

If additional time is needed, continue to cook manually.

DINNER PLATE

The dinner plate setting is designed for one to two plates.

Press DINNER PLATE, then press START.

If additional time is needed, continue to cook manually.

SAVE THESE INSTRUCTIONS

WWW.CONTOUREUSA.COM

GOURMET COOKING

FROZEN DINNER

The frozen dinner setting is designed for one frozen entree or frozen foods, like frozen dinners, from 10-20 oz.

Press FROZEN DINNER, then press START.

When cooking frozen dinners, please:

Read the instructions on your frozen food for best results.

Make sure that moisture can escape from the packaging. All frozen dinner instructions should specify that you poke holes in the plastic covering before cooking.

Be careful when removing the plastic covering. To avoid steam burns make sure to remove the side facing away from you.

VEGETABLES

The vegetable sensor feature will cook from 1-4 cups of fresh vegetables (starting at room temperature).

Press VEGETABLE repeatedly to select the number of cups:

- 1-Cup / Once
- 2-Cups / 2 times
- 3-Cups / 3 times
- 4-Cups / 4 times

Press START.

If additional time is needed, continue to cook manually.

SAVE THESE INSTRUCTIONS

WWW.CONTOUREUSA.COM

GOURMET COOKING

POPCORN

The popcorn setting is designed to make popcorn based on popcorn's bag weight:

Press POPCORN repeatedly to select your popcorn bag's weight:

3.3 oz. / Once

3.0 oz. / 2 times

1.75 oz. / 3 times

Press START.

BEVERAGE

The beverage setting heats one to three cups of a beverage. Use the below recommendation to determine the setting to use.

Press BEVERAGE repeatedly to select the number of servings:

1 cup / Once

2 cups / 2 times

3 cups / 3 times

Press START.

STOP / CLEAR FUNCTION

Press STOP/CLEAR to:

- Erase information that you entered incorrectly
- Cancel the timer
- Pause the microwave during cooking (Press START to resume)
- Display the clock after cooking is completed
- Cancel a programming during cooking (press twice)

USING THE LIGHT

To use the light underneath your microwave, press LIGHT repeatedly to cycle between high brightness, low brightness, or off.

SAVE THESE INSTRUCTIONS

WWW.CONTOUREUSA.COM

MICROWAVE FUNCTIONS

USING THE VENT FAN

Your microwave's vent fan works as a range hood to filter out smoke and other odors that come from cooking.

Press VENT FAN repeatedly to cycle between high speed, low speed, or off.

You can still use the vent fan while cooking in the microwave.

The fan automatically starts when heat rises from range surface units or burners and stays on until the temperature decreases. It cannot be turned off manually during this time. This protects the microwave from excessive temperatures.

USING THE TURNTABLE

For the best results, leave the turntable on. For larger dishes, you can turn it off by pressing TURNTABLE ON/OFF.

USING THE CHILD LOCK

To lock the microwave oven, press and hold STOP/CLEAR for three seconds.

The microwave beeps and a lock indicator appears on the display.

To unlock the microwave, press and hold STOP/CLEAR until the lock indicator disappears (around 3 seconds).

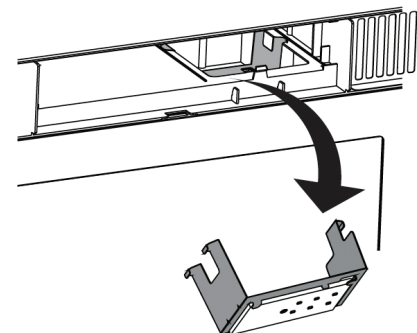
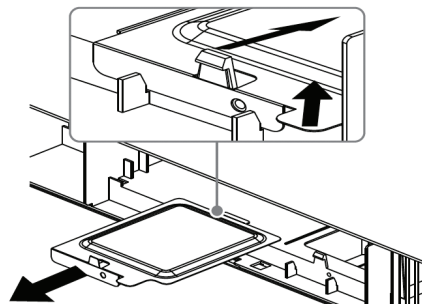
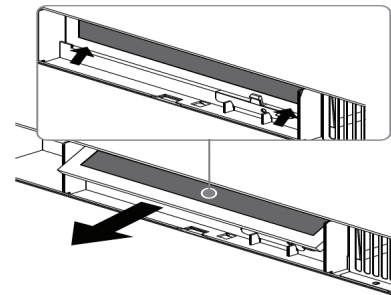
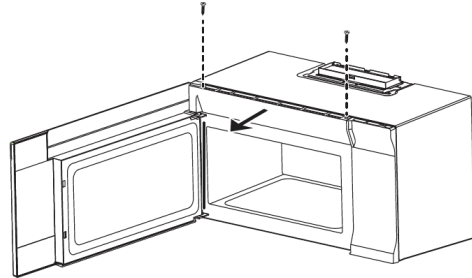
SAVE THESE INSTRUCTIONS

WWW.CONTOUREUSA.COM

MAINTENANCE

REPLACING THE LIGHTS / MICROWAVE LIGHT INTERNAL

1. Unplug the microwave oven or turn off power at the main circuit breaker.
2. Remove the vent grill screws.
3. Pull the vent grill away from the unit.
4. Remove the charcoal filter by pushing it inwards, then lift up and pull it out of the microwave.
5. Push the tab to release the light cover and carefully pull it up from the front edge.
6. Remove the LED module and replace only with an equivalent 1.2-watt LED bulb.
7. Carefully push the light cover back into place.
8. Replace the charcoal filter.
9. Push the vent back into place (engaging both the bottom and top tabs) and replace the vent grill mounting screws.



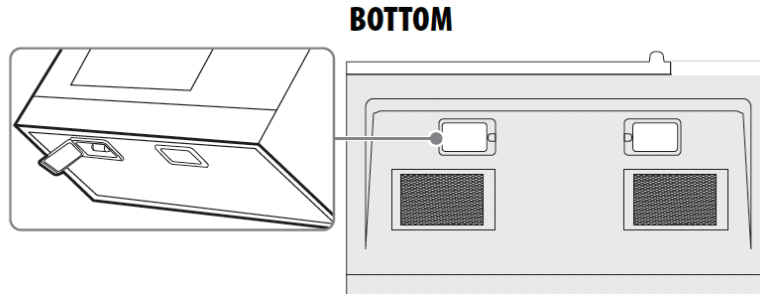
SAVE THESE INSTRUCTIONS

WWW.CONTOUREUSA.COM

MAINTENANCE

REPLACING THE LIGHTS / SURFACE LIGHT EXTERNAL

1. Unplug the microwave oven or turn off power at the main circuit breaker.
2. Remove the light cover screws under the microwave.



3. Remove the old light bulbs and replace with new 1.2-watt LED lights.
4. Reinstall the light cover screws to secure the covers.
5. Plug the microwave back in or turn the power back on at the main circuit breaker.

GENERAL SPECIFICATIONS

Model Number: RV-580-OTR

Rated Voltage: 120V / 60 Hz

Rated Input Power: 1550 Watts | Rated Output Power: 1000 Watts

Microwave Capacity: 1.6 CU.FT.

Turntable Diameter: 13.5"

External Dimensions: 29.9" (W) x 16.4" (H) x 15.0" (D)

Net Weight: 56-lbs (25.4 kg)

Certifications: UL USA / UL Canada Approved

SAVE THESE INSTRUCTIONS

WWW.CONTOUREUSA.COM

CLEANING & REPLACING FILTERS

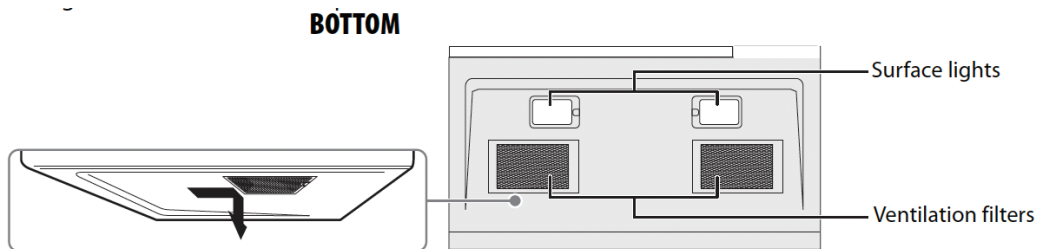
CLEANING THE EXHAUST FILTERS

The exhaust filters should be removed and cleaned about once a month.

DO NOT operate the oven hood without the filters in place.

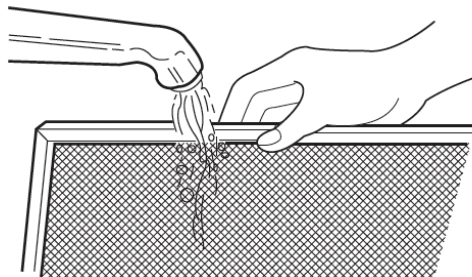
To remove the exhaust filters, slide the filter toward the back of the microwave, then pull it downward while sliding it out of the side slot.

Repeat for the second filter.

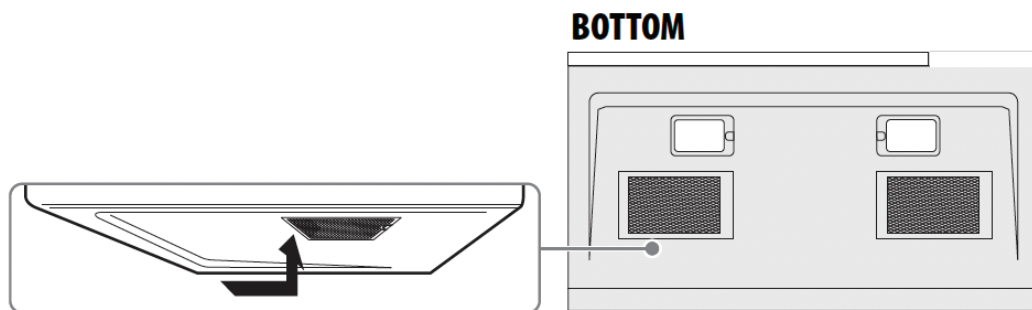


Soak the ventilation filters in hot water using a mild detergent or wash in a dishwasher. Rinse well and shake to dry.

Do not use ammonia. The aluminum on the filter will corrode and darken.



To reinstall the exhaust filter, slide it into the side slot, then push up and toward the front of the microwave to secure it. Repeat for the second filter.



SAVE THESE INSTRUCTIONS

WWW.CONTOUREUSA.COM

MAINTENANCE

CLEANING THE INSIDE OF YOUR MICROWAVE

To clean the interior of your microwave, wipe with a soft cloth and warm water.

Do not use abrasive cleaners or pads. For baked-on food, use baking soda or a mild soap, then rinse thoroughly with hot water. If you need help loosening baked-on food particles or liquids, heat two cups of water (add lemon juice if you want to keep your oven smelling fresh) in a four-cup measuring cup at high power for five minutes or until boiling. Let it cool in the microwave, then wipe the interior with a soft/damp cloth.

CLEANING YOUR WAVEGUIDE COVER

The waveguide cover is located on the right wall inside your microwave oven. It is important to keep the waveguide cover clean to assure good performance. Carefully wipe the waveguide with a damp cloth to remove any food spatters from the surface of the cover immediately after they occur. Built-up splashes may overheat and cause smoke or possible catch fire.

DO NOT REMOVE WAVEGUIDE COVER.

REMOVING OVEN ODORS

Sometimes cooking odor remains in the microwave. To remove, combine one cup water, lemon juice, and several whole cloves in a two-cup glass measuring cup. Boil for several minutes at high power, then let it cool in the microwave then wipe the interior with a soft cloth.

TURNTABLE AND TURNTABLE SUPPORT

You can remove the turntable and turntable support and wash them in mild, sudsy water. For stubborn stains, use a mild cleanser and non-abrasive pads. You can also wash them in the top rack of a dishwasher.

The turntable motor shaft is not sealed, so excess water or spills should be wiped up immediately.

SAVE THESE INSTRUCTIONS

WWW.CONTOUREUSA.COM

MAINTENANCE

KEEP YOUR OVEN CLEAN

The exterior of your oven surface is precoated steel and plastic. ONLY use mild, non-abrasive soaps or detergents with a soft cloth or sponge to clean the oven's surface and oven walls.

DO NOT clean the outside of the microwave oven using cleaners that contain ammonia or alcohol as they will damage the appearance of the microwave.

The nonporous oven surface is designed to NOT absorb odors but we recommend an occasional wipe down with a water/baking soda solution to keep the inside fresh.

DO NOT clean any part of this oven without unplugging the cord.

DO NOT use commercial oven cleaner on any part of your microwave.

DO NOT use abrasive cleaners or sharp utensils on oven.

We recommend removing grease first with a soapy cloth and then rinsing with a damp cloth.

The turntable and turntable shaft were designed to be removable and easy to clean.

DO NOT try to wash turntable immediately after cooking. Let it cool prior to placing it in water to prevent risk of breakage.

DO NOT drop the turntable and shaft or it can break.

Make sure you carefully put the turntable and shaft back in the oven after cleaning. DO NOT operate the oven without the turntable, turntable shaft and the ring assembly properly in place.

We recommend wiping down the control panel with a damp cloth and drying it thoroughly. DO NOT use sprays, abrasive or sharp objects, or large amounts of soap on the panel or you will damage it.

Keep the area clean where the door seals against the microwave. Only use mild, non-abrasive detergents with a clean sponge/soft cloth and rinse well.

SAVE THESE INSTRUCTIONS

WWW.CONTOUREUSA.COM

TROUBLESHOOTING

FREQUENTLY ASKED QUESTIONS

If you have a problem with your microwave, review the below information for a possible solution. If the microwave still does not work properly, contact the nearest authorized service center.

PROBLEM	POSSIBLE CAUSE	POSSIBLE SOLUTION
Microwave will not start	The electrical cord is not plugged in.	Plug in the electrical cord.
	The door is open.	Close the door and try again.
	The wrong operation is set.	Check the instructions and try again.
Arcing or sparking in the microwave	You are attempting to use incorrect materials in the microwave.	Use only microwave-safe materials.
	You are attempting to use the microwave when it's empty.	Do not operate the microwave when it's empty.
	Spilled food remains in the microwave.	Clean the microwave with a wet towel.
Unevenly cooked foods	You are attempting to use incorrect materials in the microwave.	Use only microwave-safe materials.
	The food is not defrosted completely.	Defrost the food completely before attempting to cook it.
	The cooking time or power level is not adequate to cook the food.	Use the correct cooking time and power level.
Overcooked foods	The food is not turned or stirred.	Turn or stir the food.
	The cooking time or power level is not adequate to cook the food.	Use the correct cooking time and power level.
Undercooked foods	You are attempting to use incorrect materials in the microwave.	Use only microwave-safe materials.
	The food is not defrosted completely.	Defrost the food completely before attempting to cook it.
	The cooking time or power level is not adequate to cook the food.	Use the correct cooking time and power level.
Improper defrosting	The microwave ventilation ports are blocked or restricted.	Make sure that the ventilation ports are not blocked or restricted.
	You are attempting to use incorrect materials in the microwave.	Use only microwave-safe materials.
	The cooking time or power level is not adequate to cook the food.	Use the correct cooking time and power level.
The vent fan turns on by itself	The food is not turned or stirred.	Turn or stir the food.
	The fan automatically starts when heat rises from range surface units or burners and stays on until the temperature decreases. This protects the microwave from excessive temperatures.	Your microwave is operating normally. The fan cannot be turned off manually during this time.
The turntable will not move	The turntable is misaligned.	Make sure that the turntable is properly aligned on the ring and shaft.
	The turntable is turned off.	Press Turntable on/off to turn your turntable back on.

To obtain replacement parts please contact Customer Service: 1-888-656-9317 or send us an email, warranty@contoureusa.com.

SAVE THESE INSTRUCTIONS

WWW.CONTOUREUSA.COM

Product Warranty

This warranty is available to consumers only. You are a consumer if you own a CONTOURE product that was purchased at a retail store for personal, family or household use. Except as otherwise required under applicable law, this warranty is not available to retailers or other commercial purchasers or owners.

Warranty registration is not mandatory, but doing so will help us to service you more quickly if you need to present a warranty claim or notify you if there is a product recall. Please go online to submit your product registration form. Return of product registration does not eliminate the need for the consumer to maintain the original proof of purchase in order to obtain the warranty benefits. In the event that you do not have proof of purchase date, the purchase date for warranty purposes will be the date of manufacture.

NQP warrants CONTOURE Products ("product") to be free of all defects in material and workmanship for the applicable period specified below commencing from the date of original purchase. This warranty extends to the original buyer only.

Ninety (90) Day Full Warranty Parts & Labor:

Within ninety (90) days from the date of original purchase, NQP/CONTOURE in its sole discretion, will either repair or replace, free of charge, any part proving defective in material or workmanship.

All warranty repairs and service must be performed at a NQP/CONTOURE location of service by an authorized NQP/CONTOURE technician. All expenses related to replacing or repairing a defective part under this ninety (90) day warranty shall be assumed by NQP/CONTOURE except the cost of transporting the product to and from NQP/CONTOURE, which

shall be assumed by the buyer. If the product is replaced, the replacement will be with a product that is identical or equivalent to the warranted product. If the product cannot be repaired or replaced, NQP/CONTOURE will issue a refund to the buyer for the original purchase price less that amount directly attributable to use by the buyer.

Disclaimer of implied warranties; limitation of remedies:

Customer's sole and exclusive remedy under this limited warranty shall be product repair or replacement as provided herein. Claims based on implied warranties, including warranties of merchantability or fitness for a particular purpose, are limited to one year or the shortest period allowed by law, but not less than one year. NQP/CONTOURE shall not be liable for consequential or incidental damages such as property damage and incidental expenses resulting from any breach of this written limited warranty or any implied warranty. Some states and provinces do not allow the exclusion or limitation of incidental or consequential damage or limitations on the duration of implied warranties, so these limitations or exclusions may not apply to you. This written warranty gives you specific legal rights. You may also have other rights that vary from state to state.

One (1) Year Limited Warranty:

After the expiration of the ninety (90) day warranty, and within one (1) year from the date of original purchase, NQP/CONTOURE NQP will replace any part proving defective in material or workmanship with a product that is identical or equivalent to the warranted part. The buyer shall assume the cost of transporting the defective product to and from NQP/CONTOURE and will assume the cost of labor associated with repair.

Product Warranty

How to obtain warranty service:

Upon discovery of any defect, malfunction, or nonconformity in the warranty-covered product, the buyer should visit www.contoureusa.com and submit a warranty claim online.

For any questions regarding your warranty you may also email us at warranty@contoureusa.com

Notice to Buyer:

This warranty gives the buyer specific legal rights, and the buyer may also have other rights, which vary from state to state. You have the right to bring any action at law or equity to resolve disputes concerning or to enforce the provisions of this warranty. Every implied warranty, including any statutory warranty or condition of merchantability or fitness for a particular purpose, is disclaimed except to the extent prohibited by law, in which case such warranty or condition is limited to the duration and extent of this written warranty.

For added protection and secure handling of any CONTOURE product that is being returned, we recommend that you use a traceable, insured delivery service. NQP/CONTOURE cannot be held responsible for in-transit damage or for packages that are not delivered to us. Lost and/or damaged products are NOT covered under warranty. Please be sure to include your return address, daytime phone number, description of the product defect, product model number (located on the product), original date of purchase and any additional pertinent information pertaining to the product's return.

Warranty Exclusions:

This warranty does not apply to any costs, repairs or services for the following:

- Products with original serial numbers that have been removed, altered or cannot be readily determined or products purchased "as-is."
- Product that has been transferred from its original owner to another party or removed outside of the USA or Canada.
- Products used in commercial setting(s).
- Service calls to correct the installation of the warranty-covered products, to explain the usage of the product to the buyer, or to reset or replace home circuit breakers or fuses.
- Service calls which do not involve malfunction or defects in materials or workmanship, or for appliances not in ordinary household use or used other than in accordance with the provided instructions.
- Repairs necessitated by use other than normal home use / Products used in commercial settings.
- Damage resulting from misuse, abuse, accidents, alterations, improper installation, fire, flood acts of God or damage caused by the shipping of the product by the buyer to NQP.
- Corrective work necessitated by repairs made by anyone other than a NQP authorized service technician / Rust on the interior or exterior of the unit.
- Costs incurred for disposing of the product at locations other than a NQP facility.
- Food loss due to any refrigerator or freezer failure.

- Expenses for making the appliance accessible for servicing, such as removal of trim, cupboards, shelves, etc. which are not a part of the appliance when it is shipped from the factory.
- Damages to the finish of appliance or home incurred during installation, including but not limited to floors, cabinets, walls, etc.
- Damages caused by: services performed by unauthorized service companies; use of parts other than genuine CONTOURE parts or parts obtained from persons other than authorized service companies; or external causes such as abuse, misuse, inadequate power supply, accidents, fires or acts of God.
- Labor costs after ninety (90) days from your original date of purchase incurred for product repair or replacement as provided herein for carry-in appliances.

This warranty only applies in the USA and Canada:

In the United States and Canada, your appliance is warranted by NQP/CONTOURE. NQP/CONTOURE authorizes no person to change or add any obligations under this warranty. Obligations for service and parts under this warranty must be performed by NQP/CONTOURE or an authorized service company.

California Residents Only:

California law provides that for In-Warranty Service, California residents have the option of returning a nonconforming product.

(1) to the store where it was purchased or (2) to another retail store which sells CONTOURE products of the same type. The retail store shall then, at its discretion, either repair the product,

refer the consumer to an independent repair facility, replace the product, or refund the purchase price less the amount directly attributable to the consumer’s prior usage of the product. If the above two options do not result in the appropriate relief to the consumer, the consumer may then take the product to an independent repair facility if service or repair can be economically accomplished.

NQP/CONTOURE and not the consumer will be responsible for the reasonable cost of such service, repair, replacement, or refund for nonconforming products under warranty.

California residents may also, according to their preference, return nonconforming products directly to NQP for repair, or if necessary, replacement, by calling our Consumer Service Center toll-free at 1-888-656-9317 or sending us an email, warranty@contourea.com.

NQP/CONTOURE will be responsible for the cost of the repair, replacement, and return shipping and handling for such products under warranty.

Copyright:

CONTOURE is a trademark of National Quality Products, LLC and its affiliated companies.

Registered in some countries.

Distributed by National Quality Products, LLC.

©2020 National Quality Products, LLC. All rights reserved.